

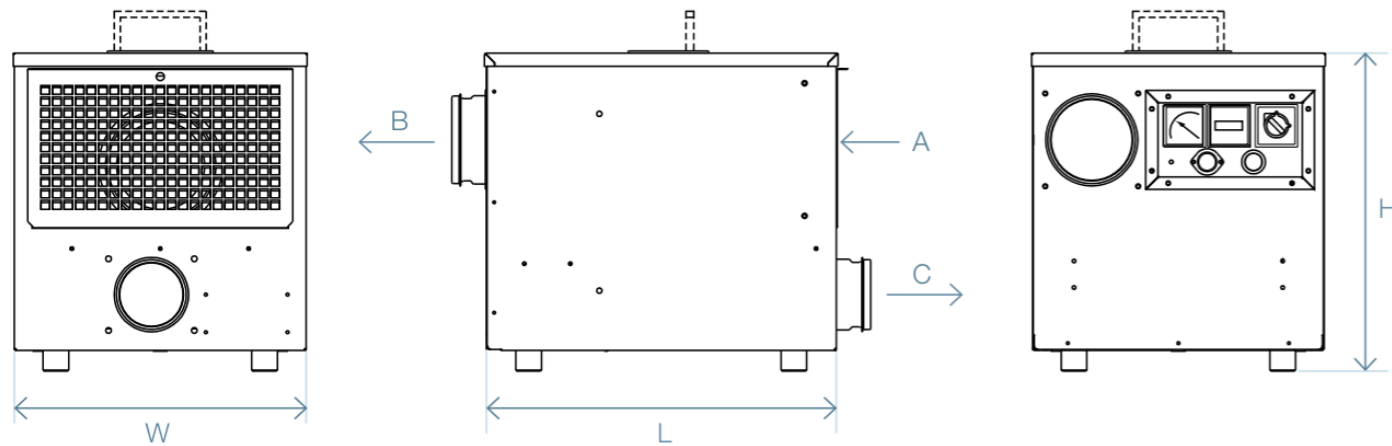
**COTES MOBILE
CR120B-CR400B**



COTES MOBILE CR120B-CR400B

IDEAL FOR

- Water damage
- Flood
- Water Works
- Renting companies
- Dry air storage
- Object dehumidification



- A REG. AIR/PROCESS AIR INLET
- B DRY AIR OUTLET
- C REG. AIR OUTLET

TECHNICAL DATA

TYPE	DRY AIR NOMINAL m³/h	REG. AIR NOMINAL m³/h	VOLTAGE/ PHASES V	CONNECTED LOAD kW	REG. AIR HEATER kW	EXTERNAL FUSES	EXTERNAL PRESSURE PROCESS AIR Pa	EXTERNAL PRESSURE REG. AIR Pa	CAPACITY AT 20°C 60% RH Kg/h
CR120B	120	35	230/1N+PE	0,78	0,73	10	60	50	0,45
CR240B	240	40	230/1N+PE	1,05	0,94	10	50	50	0,8
CR290B	290	65	230/1N+PE	1,63	1,38	10	30	50	1,1
CR300B	300	65	230/1N+PE	1,50	1,38	10	80	50	1,1
CR400B	400	90	230/1N+PE	1,97	1,84	10	50	50	1,4

DIMENSIONS & WEIGHT

TYPE	L mm	W mm	H mm	AIR INLET A mm	DRY AIR OUTLET B mm	REG. AIR OUTLET C mm	WEIGHT kg
CR120B	330	320	316	240 x 205	Ø 100	Ø 50	13
CR240B	396	330	359	160 x 290	Ø 100	Ø 80	18
CR290B	396	330	359	160 x 290	Ø 100	Ø 80	19
CR300B	469	402	430	210 x 350	Ø 125	Ø 80	27
CR400B	469	402	430	210 x 350	Ø 125	Ø 80	28

Description

The CR-B desiccant dehumidifiers consist of 5 small dehumidifiers designed for temporary tasks such as drying-out buildings, but can be used in stationary installations, too. The operating principle is adsorption and the rotor is silica gel as standard.

Features

- > Cabinet manufactured in stainless steel
- > Low weight and small dimensions compared to capacity
- > Handles for easy carrying and piling
- > High capacity, at low temperatures as well
- > Deep drying at reduced process air flow
- > Pressure available for external connected ductwork
- > Power supply: 230V, 1N+PE
- > Hygostat connection with built-on connector
- > Easy access for internal cleaning and for service
- > High performance desiccant rotor of silica gel, washable

Applications

This range of dehumidifiers is designed for drying-out buildings, new buildings as well as water-damaged buildings. Furthermore, they are used for room air dehumidification, dry air storage, water works and pump stations.

The company policy of making quality products has resulted in dehumidifiers characterized by high reliability, low maintenance costs, maintainability and high capacity. Furthermore, these adsorption dehumidifiers are characterized by high capacity at low temperatures and additional room heating is normally not necessary.

Controls

All Cotes humidity controls, DR10, DA20, DH24, DCC, can be used for the CR-B dehumidifiers. The choice depends on the degree of accuracy needed and external user information.

CLOSE TO YOU

We have a worldwide network of Cotes experts ready to provide you with solutions to virtually any humidity management requirement.



Avenida da Conduta, 836
4420-619 GONDOMAR
PORTUGAL

Tel:(+351) 22 372 03 92 Fax:(+351) 22 379 09 08
info@climaconforto.pt www.climaconforto.pt

YOUR LOCAL COTES REPRESENTATIVE

TALK TO US ABOUT WHAT'S POSSIBLE

COTES A/S

DENMARK

+45 5819 6322

SALES@COTES.COM

COTES.COM